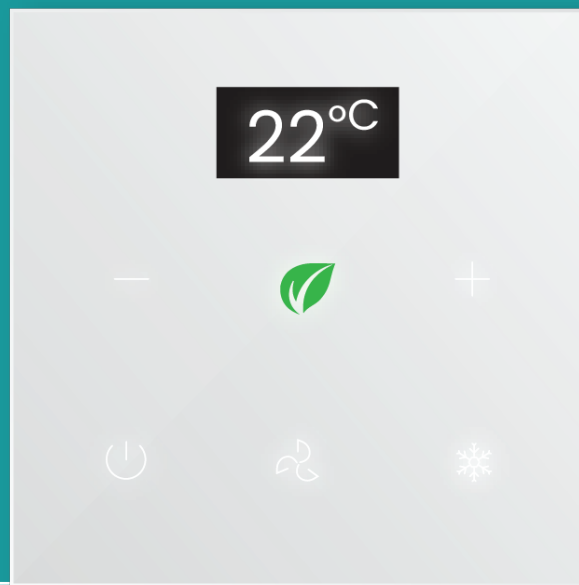




# NOA-WH

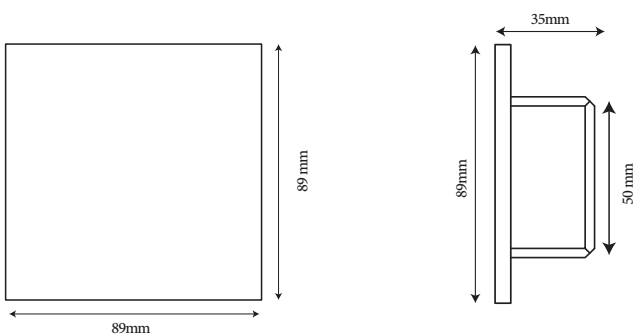
## THERMOSTAT



### •Specifications

Model No	GTTH33205WH
Input Voltage	12VDC 200mA
Communication	G-BUS
Glass thickness	3mm
Weight	120g
Glass Thickness	3mm
Colors	White
Warranty	2 Years

### •Dimensions



### •Connections

