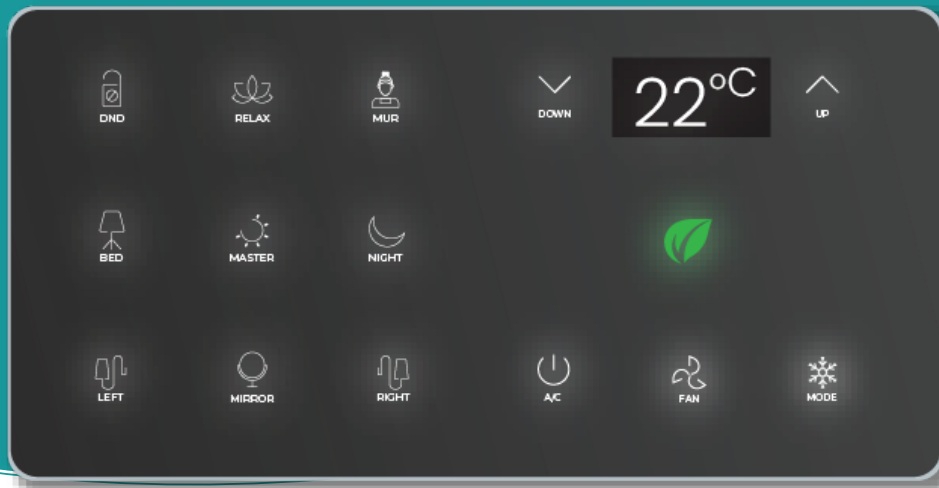




# FIAC-AIDAC-BK

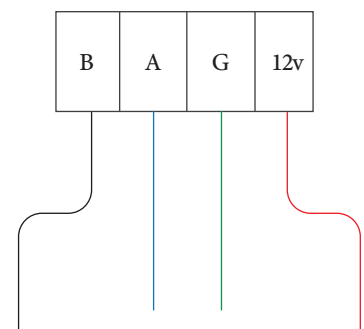
## TOUCH KEY THERMOSTAT



### •Specifications

Model No	GTTHC6309BK
Input Voltage	12VDC 200mA
Communication	G-BUS
Glass thickness	3mm
Weight	120g
Glass Thickness	3mm
Colors	Black
Warranty	2 Years

### •Connections



### •Dimensions

