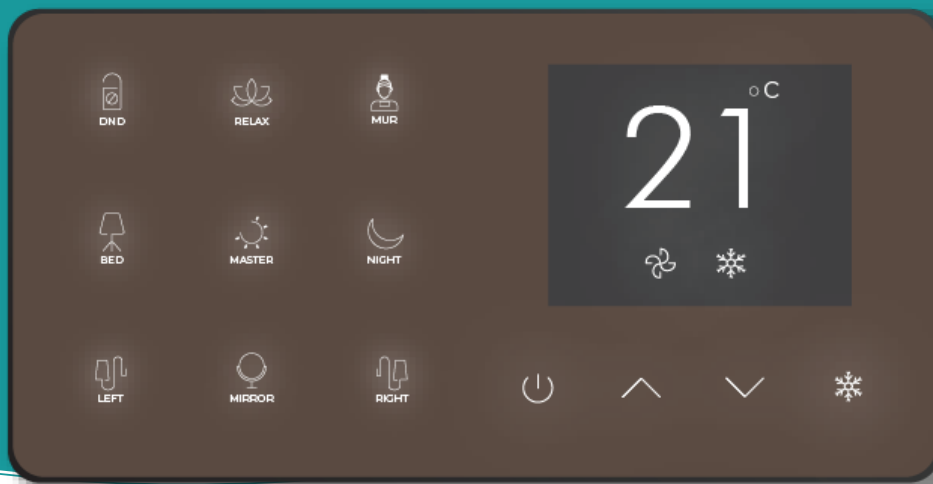




FIAC AIDAC-BN

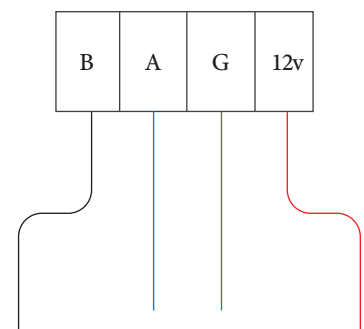
TOUCH KEY THERMOSTAT



•Specifications

Model No	GTTHC6309BN
Input Voltage	12VDC 200mA
Communication	G-BUS
Glass thickness	3mm
Weight	120g
Glass Thickness	3mm
Colors	Brown
Warranty	2 Years

•Connections



•Dimensions

